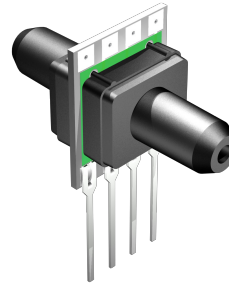
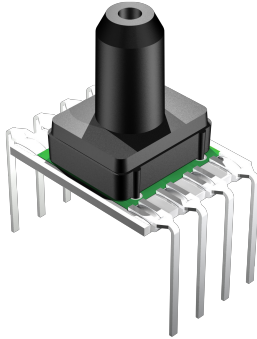
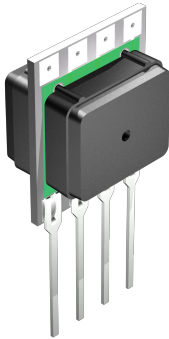




## ACPC Pressure Sensor Series



### Table of Contents

Features & Applications .....	2
Pressure Sensor Maximum Ratings .....	2
Environmental Specifications .....	2
Equivalent Circuit.....	2
Standard Pressure Ranges.....	3
Legacy Part Equivalents.....	3
C-Grade Performance Characteristics.....	4
H-Grade Performance Characteristics.....	4
Prime Grade Performance Characteristics.....	5
How to Order .....	5
Dimensional Package Drawings	
DIP .....	6-8
SIP .....	9-11
Pad Layouts .....	11

### Introduction

The ACPC series of pressure sensors are based upon a proprietary technology to reduce the size of the sensor while maintaining a high level of performance. This model provides a calibrated millivolt output with superior output offset characteristics. Output offset errors due to change in temperature, stability to warm-up, stability to long time period, and position sensitivity are all significantly reduced when compared to conventional compensation methods. In addition the sensor utilizes a silicon, micro-machined, stress concentration enhanced structure to provide a very linear output to measured pressure.

These calibrated and temperature compensated sensors give an accurate and stable output over a wide temperature range. This series is intended for use with non-corrosive, non-ionic working fluids such as air and dry gases.

The output of the device is ratiometric to the supply voltage and operation from any D.C. supply voltage.

<https://www.allensors.com/products/acpc-series>



For All Sensors Corporation's most recent quality certification documents, please visit [www.allensors.com](http://www.allensors.com)



# ACPC SERIES MILLIVOLT PRESSURE SENSORS

## Features

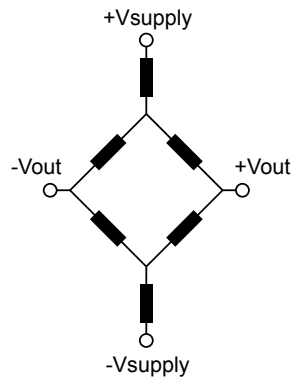
- Pressure Ranges from 4 inH<sub>2</sub>O to 100 PSI
- Temperature Compensated
- Calibrated Zero and Span

## Applications

- Medical Instrumentation
- Environmental Controls
- HVAC

Pressure Sensor Maximum Ratings		Environmental Specifications	
Supply Voltage (Vs)	16 Vdc	<b>Temperature Ranges</b>	
Common Mode Pressure	50 psig	Compensated:	0°C to (50) 70°C
Lead Temperature (soldering 2-4 sec.)	250 °C	Operating	-25°C to 85 °C
Device Temperature	245°C	Storage	-40°C to 125 °C
		<b>Humidity Limits (non condensing)</b>	0 to 95% RH

## Equivalent Circuit



Input Resistance      15.0 k ohm Typical

Output Resistance      5.0 k ohm Typical

## Standard Pressure Ranges

Device	Operating Pressure	Proof Pressure
ACPC-L04D	±4 inH2O	3 PSI
ACPC-0.3D	±0.3 PSI	3 PSI
ACPC-L10D	±10 inH2O	5 PSI
ACPC-001D	±1 PSI	10 PSI
ACPC-005D	±5 PSI	20 PSI
ACPC-015D	±15 PSI	60 PSI
ACPC-030D	±30 PSI	60 PSI
ACPC-100D	±100 PSI	150 PSI
ACPC-L04G	0 to 4 inH2O	3 PSI
ACPC-0.3G	0 to 0.3 PSI	3 PSI
ACPC-L10G	0 to 10 inH2O	5 PSI
ACPC-001G	0 to 1 PSI	10 PSI
ACPC-005G	0 to 5 PSI	20 PSI
ACPC-015G	0 to 15 PSI	60 PSI
ACPC-030G	0 to 30 PSI	60 PSI
ACPC-100G	0 to 100 PSI	150 PSI
ACPC-015A	0 to 15 PSIA	60 PSI
ACPC-030A	0 to 30 PSIA	60 PSI

## Legacy Part Equivalents

C-Grade		H-Grade		Prime Grade	
Legacy Part #	Current ACPC Part #	Legacy Part #	Current ACPC Part #	Legacy Part #	Current ACPC Part #
4 INCH-D-CGRADE-MINI	ACPC-L04D-C-CPFS-N	4 INCH-D-HGRADE-MINI	ACPC-L04D-H-CPFS-N		
4 INCH-G-CGRADE-MINI	ACPC-L04G-C-CFNS-N	4 INCH-G-HGRADE-MINI	ACPC-L04G-H-CFNS-N		
4 INCH-GF-CGRADE-MINI	ACPC-L04G-C-CPFS-N	4 INCH-GF-HGRADE-MINI	ACPC-L04G-H-CPFS-N		
0.3 PSI-D-CGRADE-MINI	ACPC-0.3D-C-CPFS-N	0.3 PSI-D-HGRADE-MINI	ACPC-0.3D-H-CPFS-N	0.3 PSI-D-PRIME-MINI	ACPC-0.3D-P-CPFS-N
0.3 PSI-G-CGRADE-MINI	ACPC-0.3G-C-CFNS-N	0.3 PSI-G-HGRADE-MINI	ACPC-0.3G-H-CFNS-N	0.3 PSI-G-PRIME-MINI	ACPC-0.3G-P-CFNS-N
0.3 PSI-GF-CGRADE-MINI	ACPC-0.3G-C-CPFS-N	0.3 PSI-GF-HGRADE-MINI	ACPC-0.3G-H-CPFS-N	0.3 PSI-GF-PRIME-MINI	ACPC-0.3G-P-CPFS-N
10 INCH-D-CGRADE-MINI	ACPC-L10D-C-CPFS-N	10 INCH-D-HGRADE-MINI	ACPC-L10D-H-CPFS-N	10 INCH-D-PRIME-MINI	ACPC-L10D-P-CPFS-N
10 INCH-G-CGRADE-MINI	ACPC-L10G-C-CFNS-N	10 INCH-G-HGRADE-MINI	ACPC-L10G-H-CFNS-N	10 INCH-G-PRIME-MINI	ACPC-L10G-P-CFNS-N
10 INCH-GF-CGRADE-MINI	ACPC-L10G-C-CPFS-N	10 INCH-GF-HGRADE-MINI	ACPC-L10G-H-CPFS-N	10 INCH-GF-PRIME-MINI	ACPC-L10G-P-CPFS-N
1 PSI-D-CGRADE-MINI	ACPC-001D-C-CPFS-N	1 PSI-D-HGRADE-MINI	ACPC-001D-H-CPFS-N	1 PSI-D-PRIME-MINI	ACPC-001D-P-CPFS-N
1 PSI-G-CGRADE-MINI	ACPC-001G-C-CFNS-N	1 PSI-G-HGRADE-MINI	ACPC-001G-H-CFNS-N	1 PSI-G-PRIME-MINI	ACPC-001G-P-CFNS-N
1 PSI-GF-CGRADE-MINI	ACPC-001G-C-CPFS-N	1 PSI-GF-HGRADE-MINI	ACPC-001G-H-CPFS-N	1 PSI-GF-PRIME-MINI	ACPC-001G-P-CPFS-N
5 PSI-D-CGRADE-MINI	ACPC-005D-C-CPFS-N	5 PSI-D-HGRADE-MINI	ACPC-005D-H-CPFS-N	5 PSI-D-PRIME-MINI	ACPC-005D-P-CPFS-N
5 PSI-G-CGRADE-MINI	ACPC-005G-C-CFNS-N	5 PSI-G-HGRADE-MINI	ACPC-005G-H-CFNS-N	5 PSI-G-PRIME-MINI	ACPC-005G-P-CFNS-N
5 PSI-GF-CGRADE-MINI	ACPC-005G-C-CPFS-N	5 PSI-GF-HGRADE-MINI	ACPC-005G-H-CPFS-N	5 PSI-GF-PRIME-MINI	ACPC-005G-P-CPFS-N
15 PSI-A-CGRADE-MINI	ACPC-015A-C-CFNS-N	15 PSI-A-HGRADE-MINI	ACPC-015A-H-CFNS-N	15 PSI-A-PRIME-MINI	ACPC-015A-P-CFNS-N
15 PSI-AF-CGRADE-MINI	ACPC-015A-C-CPFS-N	15 PSI-AF-HGRADE-MINI	ACPC-015A-H-CPFS-N	15 PSI-AF-PRIME-MINI	ACPC-015A-P-CPFS-N
15 PSI-D-CGRADE-MINI	ACPC-015D-C-CPFS-N	15 PSI-D-HGRADE-MINI	ACPC-015D-H-CPFS-N	15 PSI-D-PRIME-MINI	ACPC-015D-P-CPFS-N
15 PSI-G-CGRADE-MINI	ACPC-015G-C-CFNS-N	15 PSI-G-HGRADE-MINI	ACPC-015G-H-CFNS-N	15 PSI-G-PRIME-MINI	ACPC-015G-P-CFNS-N
15 PSI-GF-CGRADE-MINI	ACPC-015G-C-CPFS-N	15 PSI-GF-HGRADE-MINI	ACPC-015G-H-CPFS-N	15 PSI-GF-PRIME-MINI	ACPC-015G-P-CPFS-N
30 PSI-A-CGRADE-MINI	ACPC-030A-C-CFNS-N	30 PSI-A-HGRADE-MINI	ACPC-030A-H-CFNS-N	30 PSI-A-PRIME-MINI	ACPC-030A-P-CFNS-N
30 PSI-AF-CGRADE-MINI	ACPC-030A-C-CPFS-N	30 PSI-AF-HGRADE-MINI	ACPC-030A-H-CPFS-N	30 PSI-AF-PRIME-MINI	ACPC-030A-P-CPFS-N
30 PSI-D-CGRADE-MINI	ACPC-030D-C-CPFS-N	30 PSI-D-HGRADE-MINI	ACPC-030D-H-CPFS-N	30 PSI-D-PRIME-MINI	ACPC-030D-P-CPFS-N
30 PSI-G-CGRADE-MINI	ACPC-030G-C-CFNS-N	30 PSI-G-HGRADE-MINI	ACPC-030G-H-CFNS-N	30 PSI-G-PRIME-MINI	ACPC-030G-P-CFNS-N
30 PSI-GF-CGRADE-MINI	ACPC-030G-C-CPFS-N	30 PSI-GF-HGRADE-MINI	ACPC-030G-H-CPFS-N	30 PSI-GF-PRIME-MINI	ACPC-030G-P-CPFS-N
				100 PSI-A-PRIME-MINI	ACPC-100A-P-CFNS-N
				100 PSI-AF-PRIME-MINI	ACPC-100A-P-CFNS-N
100 PSI-G-CGRADE-MINI	ACPC-100G-C-CFNS-N	100 PSI-G-HGRADE-MINI	ACPC-100G-H-CFNS-N	100 PSI-G-PRIME-MINI	ACPC-100G-P-CFNS-N
100 PSI-GF-CGRADE-MINI	ACPC-100G-C-CPFS-N	100 PSI-GF-HGRADE-MINI	ACPC-100G-H-CPFS-N	100 PSI-GF-PRIME-MINI	ACPC-100G-P-CPFS-N

ALL SENSORS

E www.allsensors.com

F 408 225 2079

P 408 225 4314

A 16035 Vineyard Blvd. Morgan Hill, CA 95037



## C-Grade Performance Characteristics

Parameter <sup>Note 1</sup>	Min	Typ	Max	Units	Notes
<b>Output Span</b>					
4 inH2O	23	25	27	mV	4
10 inH2O, 0.3 PSI	18	20	22	mV	4
1 PSI	16	18	20	mV	4
5 PSI	57	60	63	mV	4
15 PSI, 15 PSIA, 30 PSI, 30 PSIA	85	90	95	mV	4
100 PSI	95	100	105	mV	4
<b>Offset Voltage</b>					
4 inH2O, 10 inH2O (@ Zero Diff. Pressure)	-	-	±1.5	mV	-
0.3 PSI, 1 PSI, 5 PSI (@ Zero Diff. Pressure)	-	-	±1.0	mV	-
15 PSI (@ Zero Gage Pressure)	-	-	±1.0	mV	-
15 PSIA, 30 PSIA (@ Zero Absolute Pressure)	-	-	±1.0	mV	-
30 PSI, 100 PSI (@ Zero Pressure)	-	-	±1.0	mV	-
<b>Offset Temperature Shift</b>					
4 inH2O (0°C-50°C)	-	-	±1.5	mV	2
10 inH2O (0°C-70°C)	-	-	±1.5	mV	2
0.3 PSI, 1 PSI, 5 PSI, 15 PSI/A, 30 PSI/A, 100 PSI (0°C-70°C)	-	-	±1.0	mV	2
Linearity, Hysteresis Error	-	0.5	±1.0	%FSS	3
Span Temperature Shift	-	-	±2.0	%FSS	2

### Specification Notes

NOTE 1: ALL PARAMETERS ARE MEASURED AT 12.0 VOLT EXCITATION, FOR THE NOMINAL FULL SCALE PRESSURE AND ROOM TEMPERATURE UNLESS OTHERWISE SPECIFIED. PRESSURE MEASUREMENTS ARE WITH POSITIVE PRESSURE APPLIED TO PORT B. SENSORS ARE RATIOMETRIC TO SUPPLY VOLTAGE.

NOTE 2: SHIFT IS RELATIVE TO 25°C.

NOTE 3: MEASURED AT ONE-HALF FULL SCALE RATED PRESSURE USING BEST STRAIGHT LINE CURVE FIT.

NOTE 4: THE VOLTAGE ADDED TO THE OFFSET VOLTAGE AT FULL SCALE PRESSURE.

NOTE 5: PARYLENE COATING IS ONLY AVAILABLE FOR PRESSURE RANGES ABOVE 10 inH2O.

### PRESSURE RESPONSE:

FOR ANY PRESSURE APPLIED, THE RESPONSE TIME TO GET TO 90% OF PRESSURE APPLIED IS TYPICALLY LESS THAN 100 USECONDS.

## H-Grade Performance Characteristics

Parameter <sup>Note 1</sup>	Min	Typ	Max	Units	Notes
<b>Output Span</b>					
4 inH2O	24	25	26	mV	4
10 inH2O, 0.3 PSI	19	20	21	mV	4
1 PSI	17.82	18.00	18.18	mV	4
5 PSI	59.4	60.0	60.6	mV	4
15 PSI, 15 PSIA, 30 PSI, 30 PSIA	89.1	90.0	90.9	mV	4
100 PSI	99	100	101	mV	4
<b>Offset Voltage</b>					
4 inH2O, 10 inH2O, 0.3 PSI, 1 PSI, 5 PSI, 15 PSIA, 30 PSIA (@ Zero Diff. Pressure)	-	-	±0.5	mV	-
15 PSI, 30 PSI (@ Zero Gage Pressure)	-	-	±0.5	mV	-
<b>Offset Temperature Shift</b>					
4 inH2O (0°C-50°C)	-	-	±0.5	mV	2
10 inH2O, 0.3 PSI, 1 PSI, 5 PSI, 15 PSI/A, 30 PSI/A, 100 PSI (0°C-70°C)	-	-	±0.5	mV	2
Linearity, Hysteresis Error	-	0.25	±0.5	%FSS	3
Span Temperature Shift	-	-	±1.0	%FSS	2

### Specification Notes

NOTE 1: ALL PARAMETERS ARE MEASURED AT 12.0 VOLT EXCITATION, FOR THE NOMINAL FULL SCALE PRESSURE AND ROOM TEMPERATURE UNLESS OTHERWISE SPECIFIED. PRESSURE MEASUREMENTS ARE WITH POSITIVE PRESSURE APPLIED TO PORT B. SENSORS ARE RATIOMETRIC TO SUPPLY VOLTAGE.

NOTE 2: SHIFT IS RELATIVE TO 25°C.

NOTE 3: MEASURED AT ONE-HALF FULL SCALE RATED PRESSURE USING BEST STRAIGHT LINE CURVE FIT.

NOTE 4: THE VOLTAGE ADDED TO THE OFFSET VOLTAGE AT FULL SCALE PRESSURE.

NOTE 5: PARYLENE COATING IS ONLY AVAILABLE FOR PRESSURE RANGES ABOVE 10 inH2O.

### PRESSURE RESPONSE:

FOR ANY PRESSURE APPLIED, THE RESPONSE TIME TO GET TO 90% OF PRESSURE APPLIED IS TYPICALLY LESS THAN 100 USECONDS.

## Prime Grade Performance Characteristics

Parameter <sup>Note 1</sup>	Min	Typ	Max	Units	Notes
<b>Output Span</b>					
0.3 PSI, 10 inH2O	19.00	20.00	21.00	mV	4
1 PSI	17.82	18.00	18.18	mV	4
5 PSI	59.40	60.00	60.60	mV	4
15 PSI, 15 PSIA, 30 PSI, 30 PSIA	89.10	90.00	90.90	mV	4
100 PSI, 100 PSIA	99.00	100.00	101.00	mV	4
<b>Offset Voltage (@ Zero Diff. Pressure)</b>					
0.3 PSI, 10 inH2O, 1 PSI, 5 PSI, 15 PSI, 30 PSI, 100 PSI	-	-	±0.30	mV	-
15 PSIA, 30 PSIA, 100 PSIA	-	-	±0.50	mV	-
<b>Offset Temperature Shift (0°C-70°C)</b>					
	-	-	±250	uV	2
<b>Linearity, Hysteresis Error</b>					
0.3 PSI, 10 inH2O, 1 PSI, 5 PSI	-	0.10	±0.25	%FSS	3
15 PSIA	-	0.10	±0.30	%FSS	3
15 PSI, 30 PSI, 30 PSIA, 100 PSI, 100 PSIA	-	0.15	±0.30	%FSS	3
<b>Span Temperature Shift</b>					
	-	-	±1.00	%FSS	2

### Specification Notes

NOTE 1: ALL PARAMETERS ARE MEASURED AT 12.0 VOLT EXCITATION, FOR THE NOMINAL FULL SCALE PRESSURE AND ROOM TEMPERATURE UNLESS OTHERWISE SPECIFIED. PRESSURE MEASUREMENTS ARE WITH POSITIVE PRESSURE APPLIED TO PORT B. SENSORS ARE RATIO METRIC TO SUPPLY VOLTAGE.

NOTE 2: SHIFT IS RELATIVE TO 25°C.

NOTE 3: MEASURED AT ONE-HALF FULL SCALE RATED PRESSURE USING BEST STRAIGHT LINE CURVE FIT.

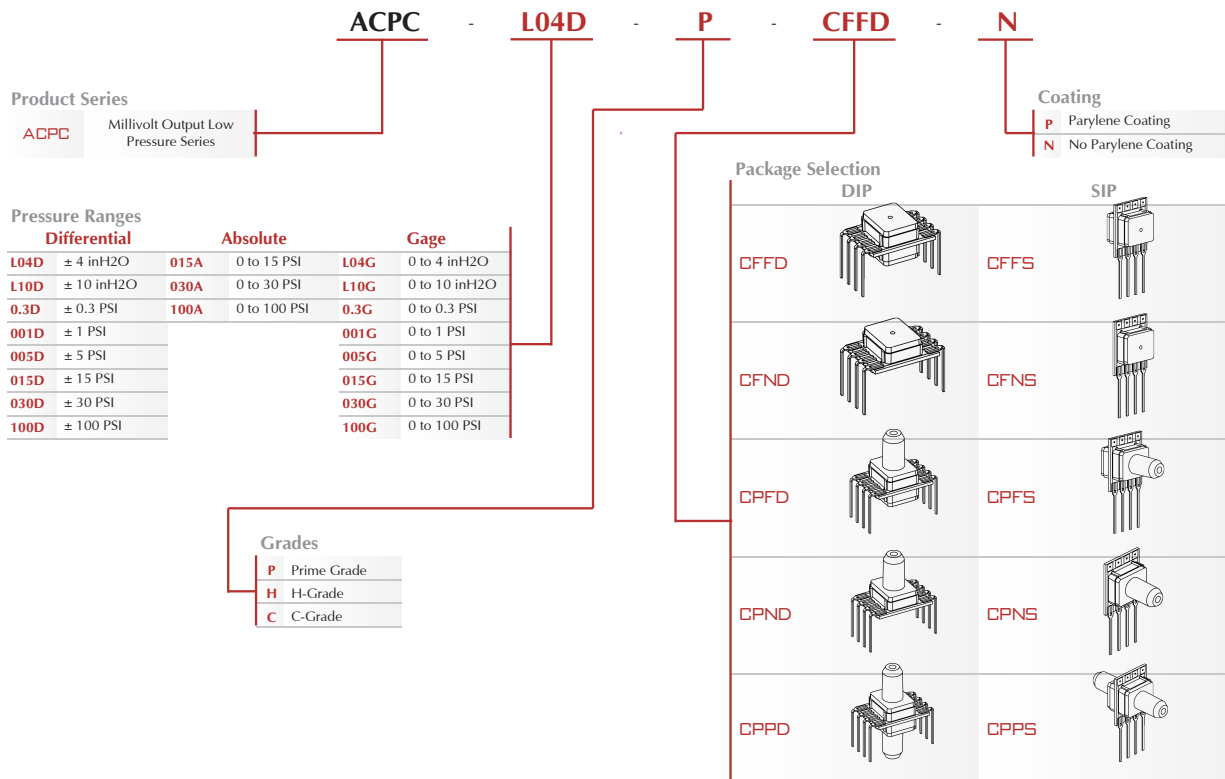
NOTE 4: THE SPAN IS THE ALGEBRAIC DIFFERENCE BETWEEN FULL SCALE OUTPUT VOLTAGE AND THE OFFSET VOLTAGE.

NOTE 5: PARYLENE COATING IS ONLY AVAILABLE FOR PRESSURE RANGES ABOVE 10 inH2O.

### PRESSURE RESPONSE:

FOR ANY PRESSURE APPLIED, THE RESPONSE TIME TO GET TO 90% OF PRESSURE APPLIED IS TYPICALLY LESS THAN 100 USECONDS.

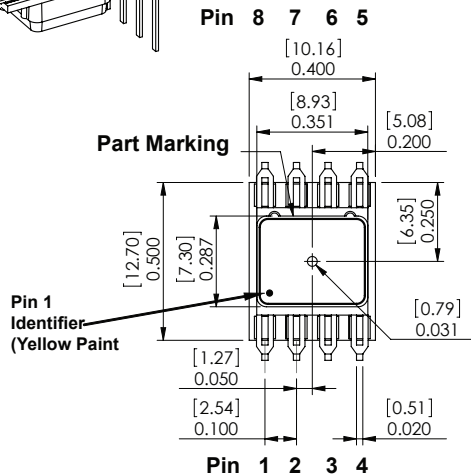
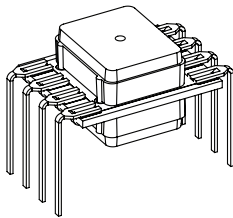
### How to Order



Note: Parylene Coating is only available for pressure ranges above 10 inH2O.

## Dimensional Drawings - DIP Packages

### CFFD Package



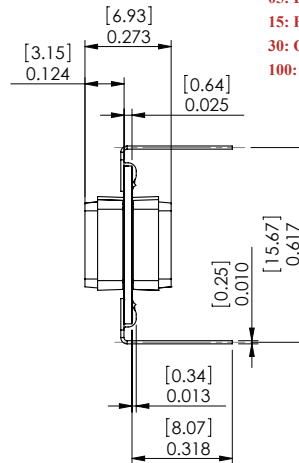
#### Markings:

##### Right dot:

Silver: C-Grade  
Gold: H-Grade  
Red: Prime Grade

##### Left Dot:

L04: White  
L10: Yellow  
0.3: Pink  
1.0: Green  
05: Blue  
15: Purple  
30: Orange  
100: Brown



Pin	Definition
1	+GND
2	+Out
3	Vs
4	-Out
5	N/C
6	N/C
7	N/C
8	N/C

#### Notes

- 1) Dimensions are in inches [mm].
- 2) For suggested pad layout, see drawing: PAD-03

**ALL SENSORS**

TITLE:

C-Series Package

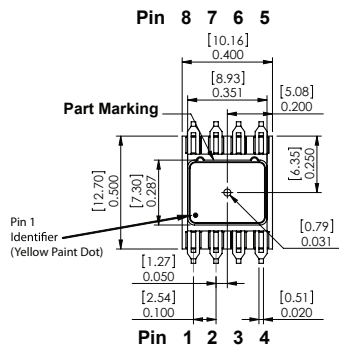
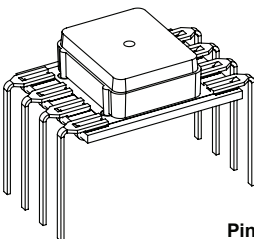
SIZE

FILE NAME

**A**

CFFD Package

### CFND Package



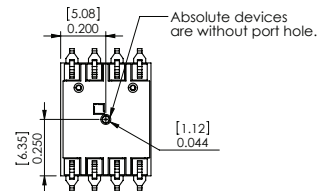
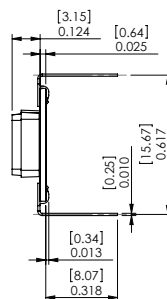
#### Markings:

##### Right dot:

Silver: C-Grade  
Gold: H-Grade  
Red: Prime Grade

##### Left Dot:

L04: White  
L10: Yellow  
0.3: Pink  
1.0: Green  
05: Blue  
15: Purple  
30: Orange  
100: Brown



Pin	Definition
1	+GND
2	+Out
3	Vs
4	-Out
5	N/C
6	N/C
7	N/C
8	N/C

#### Notes

- 1) Dimensions are in inches [mm].
- 2) For suggested pad layout, see drawing: PAD-03

**ALL SENSORS**

TITLE:

C-Series Package

SIZE

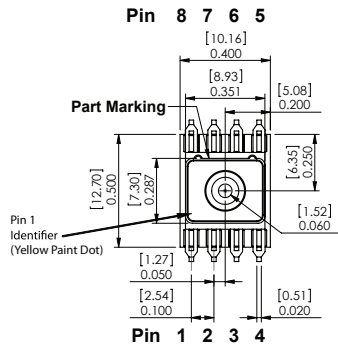
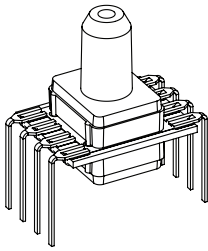
FILE NAME

**A**

CFND Package

## Dimensional Drawings - DIP Packages (Cont'd.)

### CPFD Package

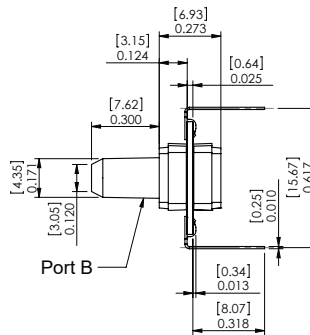


#### Markings:

Right dot:  
 Silver: C-Grade  
 Gold: H-Grade  
 Red: Prime Grade

Left Dot:  
 L04: White  
 L10: Yellow  
 0.3: Pink  
 1.0: Green  
 05: Blue  
 15: Purple  
 30: Orange  
 100: Brown

Pin	Definition
1	+GND
2	+Out
3	Vs
4	-Out
5	N/C
6	N/C
7	N/C
8	N/C



**ALL SENSORS**

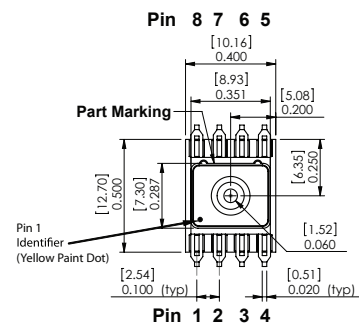
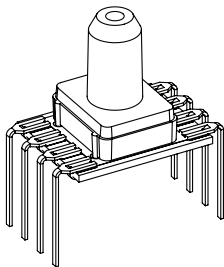
TITLE: C-Series Package

SIZE FILE NAME  
**A** CPFD Package

#### Notes

- 1) Dimensions are in inches [mm].
- 2) For suggested pad layout, see drawing: PAD-03

### CPND Package

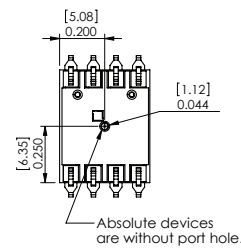
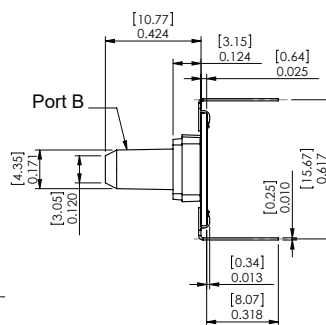


#### Markings:

Right dot:  
 Silver: C-Grade  
 Gold: H-Grade  
 Red: Prime Grade

Left Dot:  
 L04: White  
 L10: Yellow  
 0.3: Pink  
 1.0: Green  
 05: Blue  
 15: Purple  
 30: Orange  
 100: Brown

Pin	Definition
1	+GND
2	+Out
3	Vs
4	-Out
5	N/C
6	N/C
7	N/C
8	N/C



**ALL SENSORS**

TITLE: C-Series Package

SIZE FILE NAME  
**A** CPND Package

#### Notes

- 1) Dimensions are in inches [mm].
- 2) For suggested pad layout, see drawing: PAD-03

ALL SENSORS

E www.allensors.com

F 408 225 2079

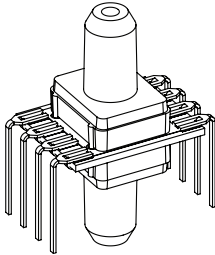
P 408 225 4314

A 16035 Vineyard Blvd. Morgan Hill, CA 95037



## Dimensional Drawings - DIP Packages (Cont'd.)

### CPPD Package



**Markings:**

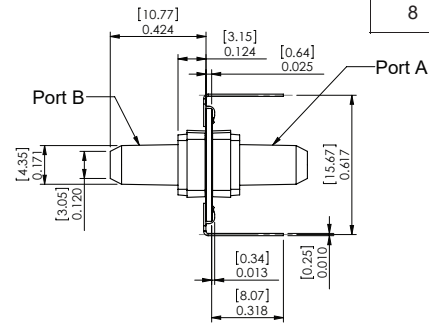
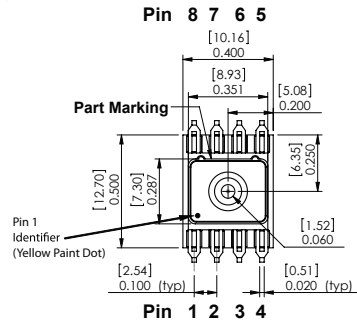
**Right dot:**

Silver: C-Grade  
Gold: H-Grade  
Red: Prime Grade

**Left Dot:**

L04: White  
L10: Yellow  
0.3: Pink  
1.0: Green  
05: Blue  
15: Purple  
30: Orange  
100: Brown

Pin	Definition
1	+GND
2	+Out
3	Vs
4	-Out
5	N/C
6	N/C
7	N/C
8	N/C



**Notes**

- 1) Dimensions are in inches [mm].
- 2) For suggested pad layout, see drawing: PAD-03

**ALL SENSORS**

TITLE:

C-Series Package

SIZE FILE NAME

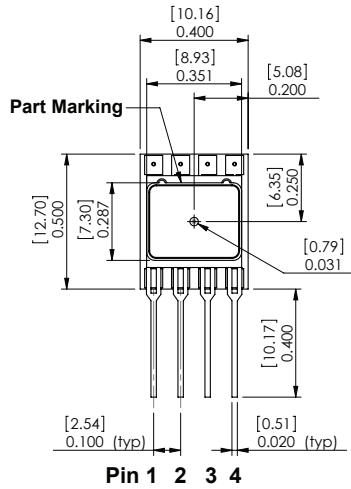
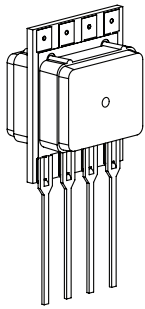
**A**

CPPD Package



# Dimensional Drawings - SIP Packages

## CFFS Package



**Markings:**

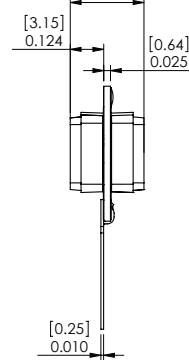
**Right dot:**

- Silver: C-Grade
- Gold: H-Grade
- Red: Prime Grade

**Left Dot:**

- L04: White
- L10: Yellow
- 0.3: Pink
- 1.0: Green
- 05: Blue
- 15: Purple
- 30: Orange
- 100: Brown

Pin	Definition
1	+GND
2	+Out
3	Vs
4	-Out



**Notes**

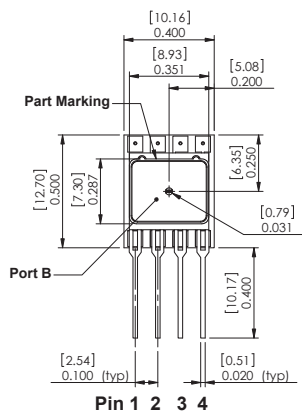
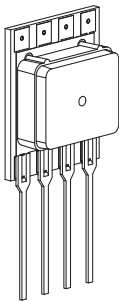
- 1) Dimensions are in inches [mm].
- 2) For suggested pad layout, see drawing: PAD-01

**ALL SENSORS**

TITLE: C-Series Package

SIZE FILE NAME  
**A** CFFS Package

## CFNS Package



**Markings:**

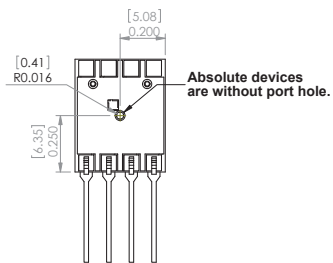
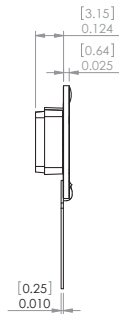
**Right dot:**

- Silver: C-Grade
- Gold: H-Grade
- Red: Prime Grade

**Left Dot:**

- L04: White
- L10: Yellow
- 0.3: Pink
- 1.0: Green
- 05: Blue
- 15: Purple
- 30: Orange
- 100: Brown

Pin	Definition
1	+GND
2	+Out
3	Vs
4	-Out



**Notes**

- 1) Dimensions are in inches [mm].
- 2) For suggested pad layout, see drawing: PAD-01

**ALL SENSORS**

TITLE: C-Series Package

SIZE FILE NAME  
**A** CFNS Package

ALL SENSORS

www.allsensors.com

408 225 2079

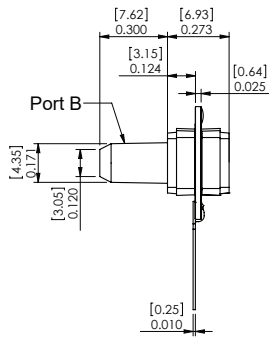
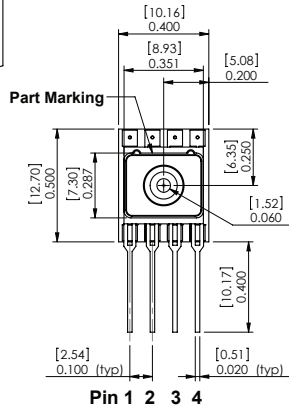
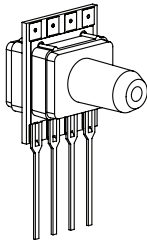
408 225 4314

16035 Vineyard Blvd. Morgan Hill, CA 95037



## Dimensional Drawings - SIP Packages (Cont'd.)

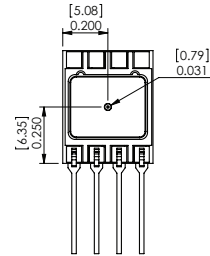
### CPFS Package



**Markings:**  
**Right dot:**  
 Silver: C-Grade  
 Gold: H-Grade  
 Red: Prime Grade

**Left Dot:**  
 L04: White  
 L10: Yellow  
 0.3: Pink  
 1.0: Green  
 05: Blue  
 15: Purple  
 30: Orange  
 100: Brown

Pin	Definition
1	+GND
2	+Out
3	Vs
4	-Out



#### Notes

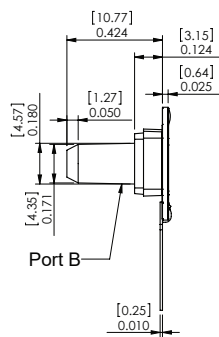
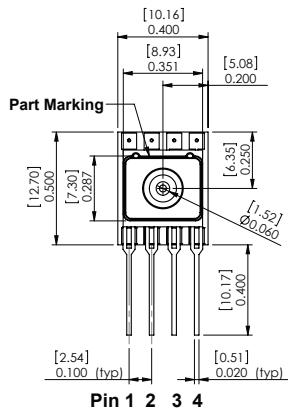
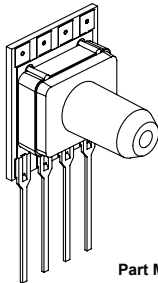
- 1) Dimensions are in inches [mm].
- 2) For suggested pad layout, see drawing: PAD-01

**ALL SENSORS**

TITLE: C-Series Package

SIZE FILE NAME  
**A** CPFS Package

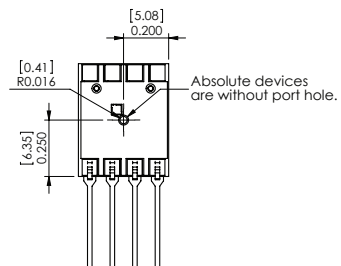
### CPNS Package



**Markings:**  
**Right dot:**  
 Silver: C-Grade  
 Gold: H-Grade  
 Red: Prime Grade

**Left Dot:**  
 L04: White  
 L10: Yellow  
 0.3: Pink  
 1.0: Green  
 05: Blue  
 15: Purple  
 30: Orange  
 100: Brown

Pin	Definition
1	+GND
2	+Out
3	Vs
4	-Out



#### Notes

- 1) Dimensions are in inches [mm].
- 2) For suggested pad layout, see drawing: PAD-01

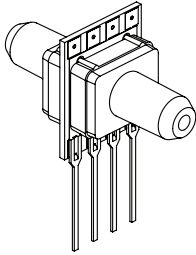
**ALL SENSORS**

TITLE: C-Series Package

SIZE FILE NAME  
**A** CPNS Package

## Dimensional Drawings - SIP Packages (Cont'd.)

### CPPS Package

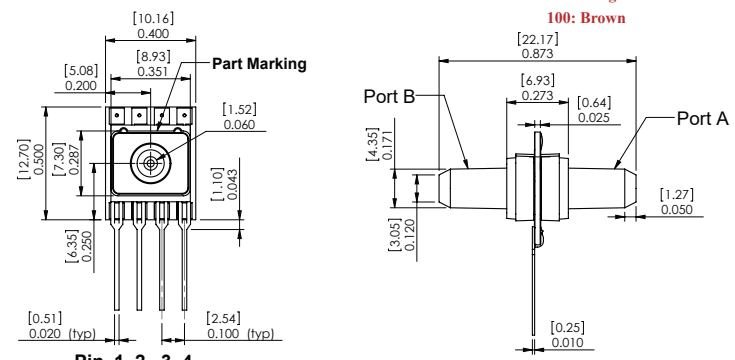


**Markings:**

**Right dot:**  
 Silver: C-Grade  
 Gold: H-Grade  
 Red: Prime Grade

**Left Dot:**  
 L04: White  
 L10: Yellow  
 0.3: Pink  
 1.0: Green  
 05: Blue  
 15: Purple  
 30: Orange  
 100: Brown

Pin	Definition
1	+GND
2	+Out
3	Vs
4	-Out



ALL SENSORS

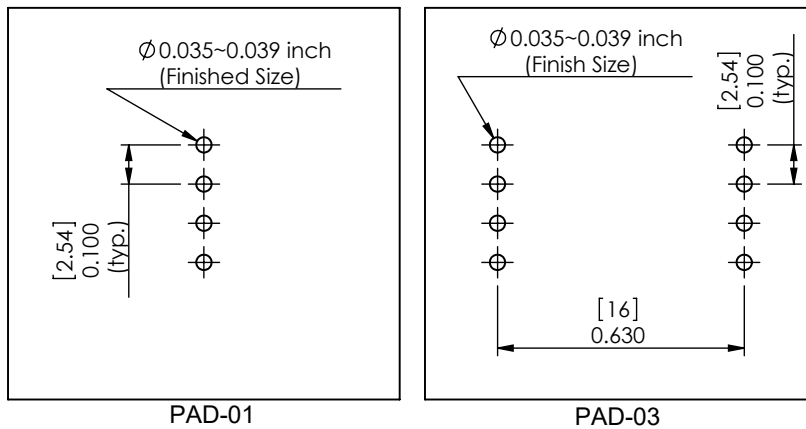
TITLE: C-Series Package

SIZE: **A** FILE NAME: CPPS Package

**Notes**

- Dimensions are in inches [mm].
- For suggested pad layout, see drawing: PAD-01

## Suggested Pad Layouts



All Sensors reserves the right to make changes to any products herein. All Sensors does not assume any liability arising out of the application or use of any product or circuit described herein, neither does it convey any license under its patent rights nor the rights of others.