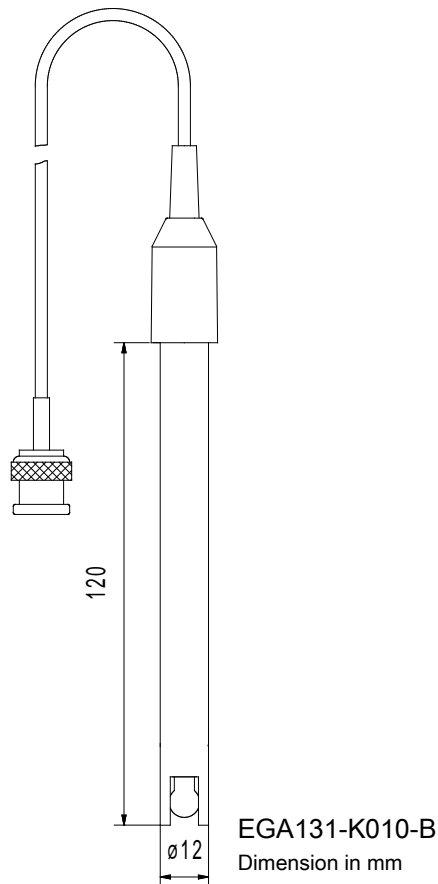


EGA131

pH Combination Electrode



This pH combination electrode with refillable electrolyte and plastic body is recommended for general application in aquariums, environmental analytics as well as in water treatment for swimming pools.

In addition to the version with plug head system and separated cable connection, models with fixed cable are available.

Electrode shaft	plastic (transparent), Ø 12 mm
Immersion length	120 mm
pH range	0...14
Temperature range	-5...80 °C
Membrane shape	ball
Membrane resistance	≤ 500 MΩ (25 °C)
Reference system	Ag/AgCl
Electrolyte	fluid (about 3 M KCl), refillable
Diaphragm	2 ceramic frits
Isopotential point	7.0 ± 0.3
Minimum immersion depth	15 mm
Pressure	pressureless
Electrical connection	<ul style="list-style-type: none"> ▪ S7 coaxial lab plug head ▪ fixed cable
Process connection	<ul style="list-style-type: none"> ▪ with the relevant configuration thread PG 13.5 at sensor shaft for direct mounting in housings ▪ installation vertically or laterally up to 30° from vertical

- Electrical connections of the sensor:
 - EGA131-L: S7 coaxial lab plug head; separate connection cable is required
 - EGA131-K010-B: 1 m fixed cable, BNC plug
 - EGA131...: standard model EGA131 (plug head; cable length [1 m, 2 m, 5 m, 10 m], special cable length, plug, thread PG 13.5 are available)
 - EGA131 (OEM): customer specially designed models (sensor length, OEM logo, ...)

- Accompanying plug head cable connections:
 - K43/2: coaxial cable, length 2 m with S7/S8 socket, without meter plug
 - K50/2: coaxial cable, length 2 m with S7/S8 socket and German DIN plug
 - K51/2: coaxial cable, length 2 m with S7/S8 socket and BNC plug