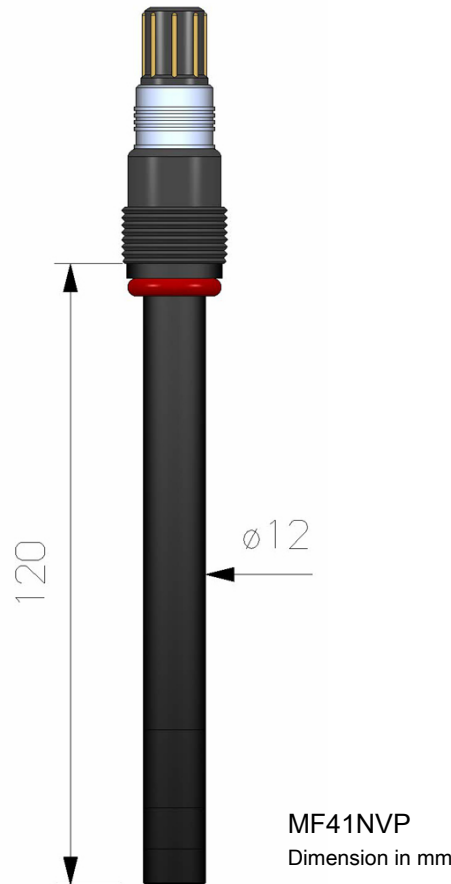


# MF41N

Dissolved Oxygen Sensor



The amperometric oxygen probe is ideal for direct control of dissolved oxygen in water, e .g. drainwater, surface water, fish farming or laboratory and engineering plants. The oxygen probe MF41N features high long-term stability, low maintenance and identical dimensions to pH-electrodes.

### *High Operating Reliability*

The special design of the electrode system and the membrane head with the multi-layer membrane guarantee the highest degree of operating reliability.

### *Easy Mounting, Maintenance and Air Calibration*

The membrane head is completely changeable and the packing unit of the electrolyte volume is efficient for one sensor head. The zero-current-free technology of the electrode system allows simple one-point calibration in the ambient air.

<b>Sensor shaft</b>	PSU, PVC, ABS (saltwater-proof), Ø 12 mm
<b>Immersion length</b>	120 mm
<b>Temperature range</b>	-5...45 °C
<b>Measuring range</b>	0...20 mg/l; 0...200 % air saturation (further measuring ranges on request)
<b>Resolution</b>	0.1 mg/l
<b>Response time</b>	t <sub>90</sub> < 30 s at 25 °C
<b>Flow dependency</b>	< 6 % at 25 °C
<b>Flow rate</b>	> 9 cm/s
<b>Pressure</b>	pressure of medium < 1 bar (it depends on mounting conditions)
<b>Minimal immersion depth</b>	30 mm
<b>Temperature probe</b>	Pt1000 for automatic temperature compensation and temperature measurement
<b>Electrical connection</b>	<ul style="list-style-type: none"> <li>▪ Variopin plug head with thread PG 13.5</li> <li>▪ fixed cable</li> </ul>
<b>Process connection</b>	<ul style="list-style-type: none"> <li>▪ with the relevant configuration thread PG 13.5 at sensor head for direct mounting in housings</li> <li>▪ installation vertically or laterally up to 30° from vertical</li> </ul>

- Electrical connections of the sensor:
  - MF41NVP: Variopin plug head with thread PG 13.5; separate connection cable is required
  - MF41N-K050-F-P: 5 m fixed cable, stripped ends, thread PG 13.5
  - MF41N...: standard model MF41N (plug head; cable length [1 m, 2 m, 5 m, 10 m], special cable length, plug, thread PG 13.5 are available)
  - MF41N (OEM): customer specially designed models (sensor length, OEM logo, ...)
  
- Accompanying plug head cable connections:
  - KVP/3: coaxial cable, length 3 m with Variopin socket, without meter plug